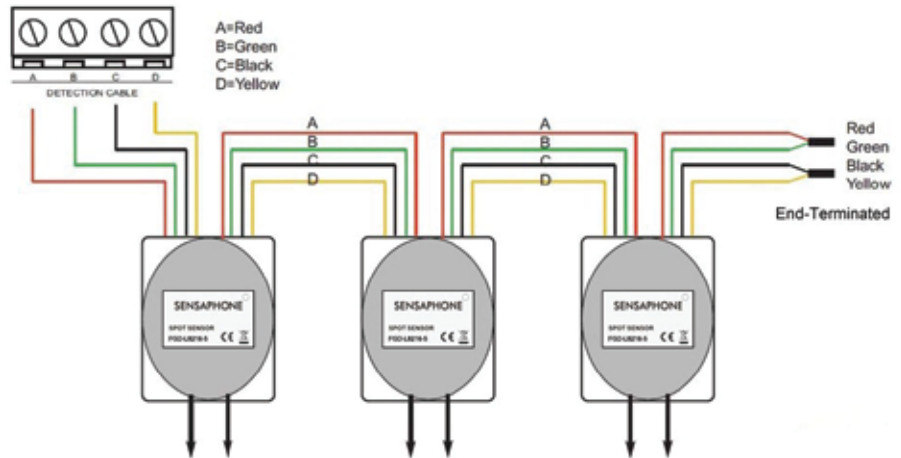




Spot Type Liquid Leakage Detector



The Sensaphone FGD-L8216 Spot Type Liquid Leakage Detector is used to detect the presence of liquid on a horizontal surface. Multiple detectors can be connected in series.



TECH SPECS

Dimensions:	57 x 47 x 39 mm (without the sensing probes)
Weight:	50 g
Housing:	Grey plastic
Sensing Probes:	- Package comes with a pair of "L" shape conductive electrode probes which can be setup into two different detection height levels by different orientation. - Can be replaced with most of the water sensing cables in the market.
Compatibility:	8500, WEB8000

All specifications subject to change without notice

Product Name

Part Number

Spot Type Liquid Leakage Detector

Equivalent to 5 m Cable Length FGD-L8216 -5

Equivalent to 10 m Cable Length FGD-L8216 -10



Family owned and made in the USA since 1985

901 Tryens Road
Aston, PA 19301

Phone: 877-373-2700
Web: sensaphone.com

