

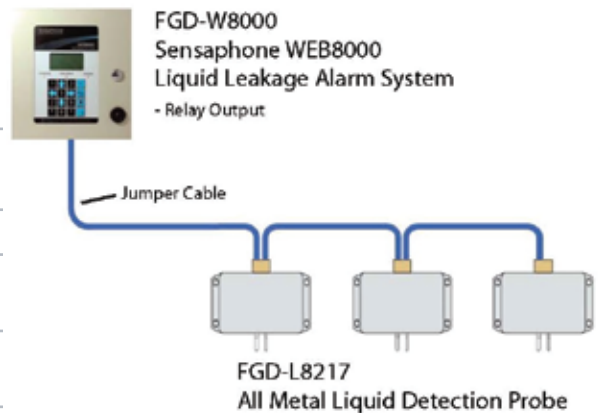


# All Metal Liquid Detection Probe



The Sensaphone FGD-L8217 All Metal Liquid Detection Probe is designed because of fire-rated consideration. It allows the monitoring for leaks in area where sensing cables would be difficult to install either because of the harsh operating environment in which detection is required, or the impracticality of installing lengths of sensing cable in vulnerable areas. FGD-L8217 has been designed for use with any of the Sensaphone Liquid Leakage Alarm System and has an equivalent cable length of 15m.

The diagram below shown a typical system configurations when using FGD -L8217:



## TECH SPECS

Dimensions:	148 (L) x 115 (W) x 34 (H) mm (plus Probe Tip length)
Probe Length:	25 mm
Probe Height above Mounting Surface:	~ 1 mm
Optional Conduit Support - Flexible Conduit Connector:	Material: Natural Brass Hole Diameter: 20 mm
Housing:	Diecast Aluminum Alloy 380
Probe with Sleeving:	363 Stainless Steel Heat Treated Fiberglass Sleeving

All specifications subject to change without notice

## Product Name

## Part Number

All Metal Liquid Detection Probe ..... FGD-L8217



Family owned and made in the USA since 1985

901 Tryens Road  
Aston, PA 19301

Phone: 877-373-2700  
Web: sensaphone.com

